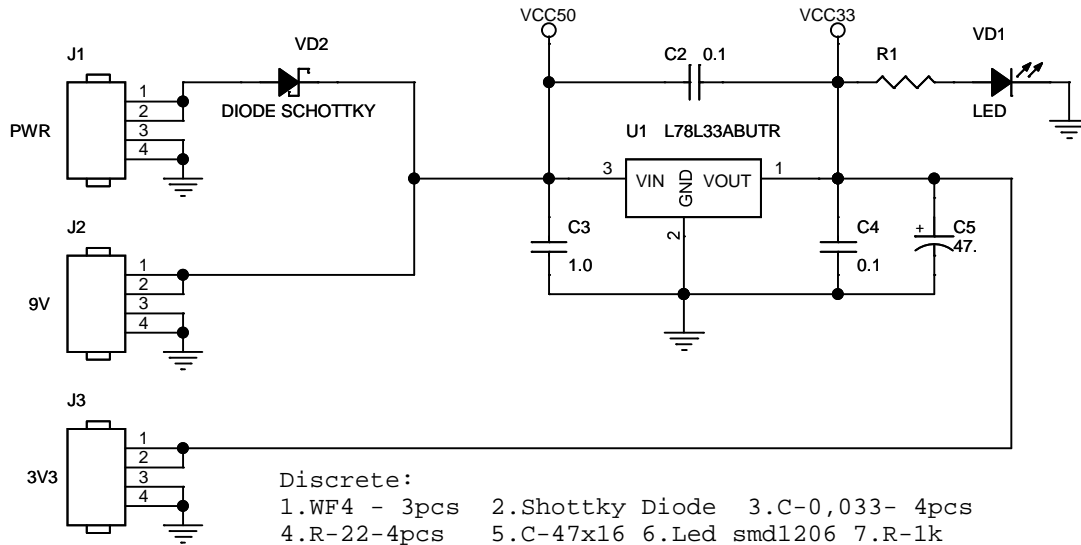
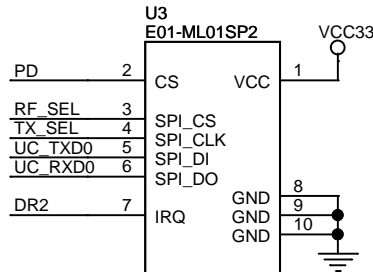
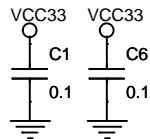
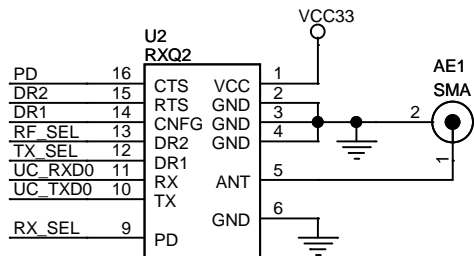
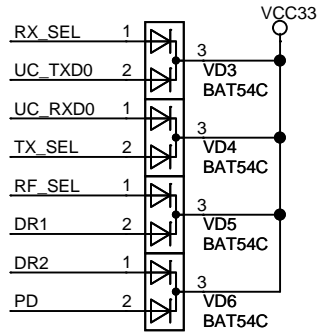
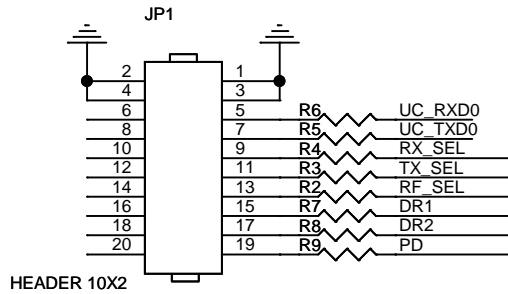


PSU 3.3



- Discrete:
- 1.WF4 - 3pcs
 - 2.Shottky Diode
 - 3.C-0,033- 4pcs
 - 4.R-22-4pcs
 - 5.C-47x16
 - 6.Led smd1206
 - 7.R-1k



Title		
CAN_RF_V2018-07		
Size	Document Number	Rev
A4	v1.2	<RevCode>
Date:	Wednesday, July 11, 2018	Sheet 2 of 2