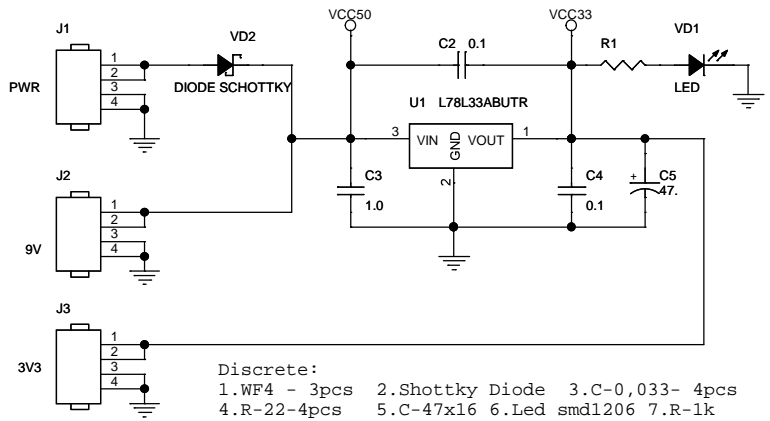
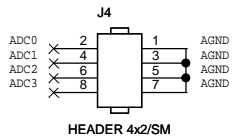


PSU 3.3

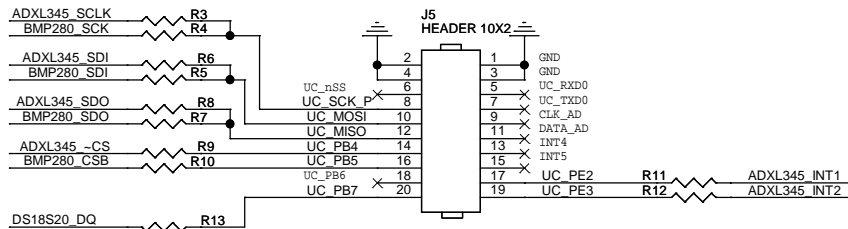
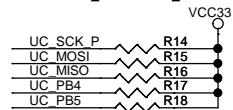


Разъёмы с распиновкой идентичной разъёмам на CAN_SAT_V1_2a

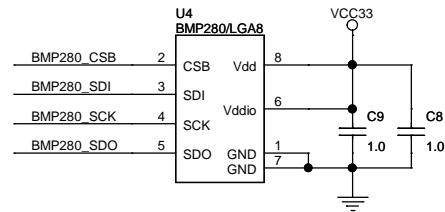


HEADER 4x2/SM

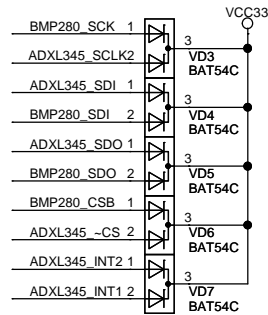
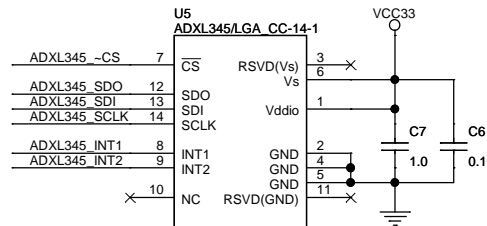
SPI pullups



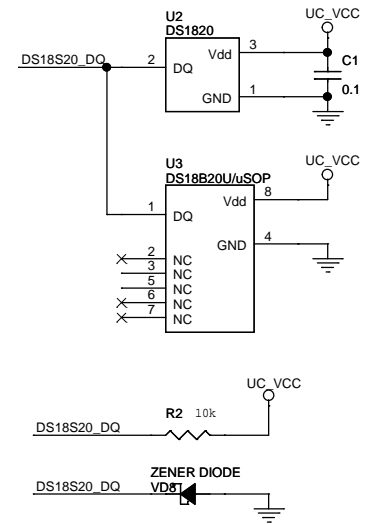
Digital Pressure Sensor



Digital Accelerometer



1-Wire Digital Thermometer



Title **CAN_SNS_V2018-07**

Size B Document Number

Rev <RevCode>

Date: Wednesday, July 11, 2018 Sheet 2 of 2